

# THE NEW COMPACT(ER)CLASS



**unoTech**

**channel bale presses feature especially:**

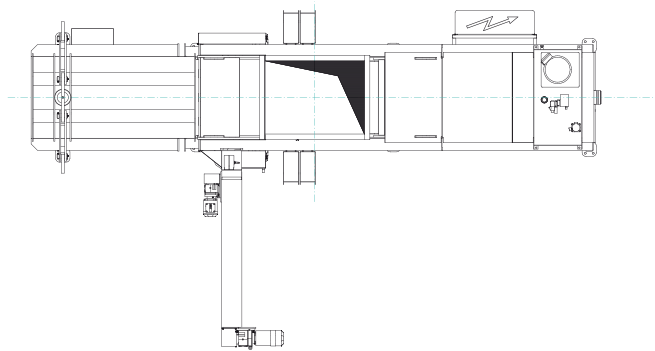
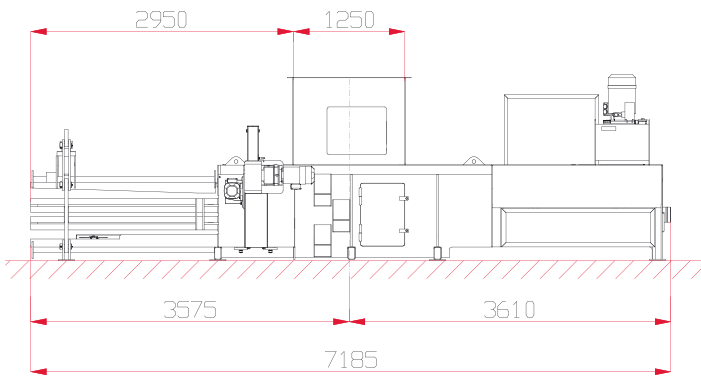
- Compact design for highly compacted bales
- Efficient cutting system for continuous charging
- Siemens PLC with fail-safe control
- Dimensionally stable bales, stockable perfectly
- Interface surface for best integration
- Proven automatic tying up with a separate wire cutting device
- Bale press with fully automatic channel adjustment
- Suitable for the most different charging processes

unoTech GmbH  
Feldkoppel 17  
49779 Niederlangen  
Germany

Tel.: +49 (0) 5939 94 144 11  
info@unoTech.de  
www.unoTech.de

Channel bale press

**UPAMAT 40H3**



### Technical data UPAMAT 40H3:

<b>Pressing force:</b>	400 kN at 260 bar	
<b>Max. cutting pressure</b>	480 kN at 315 bar	
<b>Specific pressure</b>	68 N/cm <sup>2</sup>	
<b>Channel cross section</b>	920 mm x 1250 mm	
<b>Channel cross section</b>	Al.= 70 cm; An.= 100 cm	
<b>Pressing performance:</b>	1x 15 kW	1x 22 kW
20 - 30 kg/m <sup>3</sup>	1,8 t/h	4,0 t/h
35 - 50 kg/m <sup>3</sup>	3,0 t/h	6,0 t/h
60 kg/m <sup>3</sup>	3,5 t/h	7,0 t/h
<b>Bale weight</b>	Up to 320 kg	
<b>Weight</b>	Approx. 7 t	

