

TECHNICAL DATA

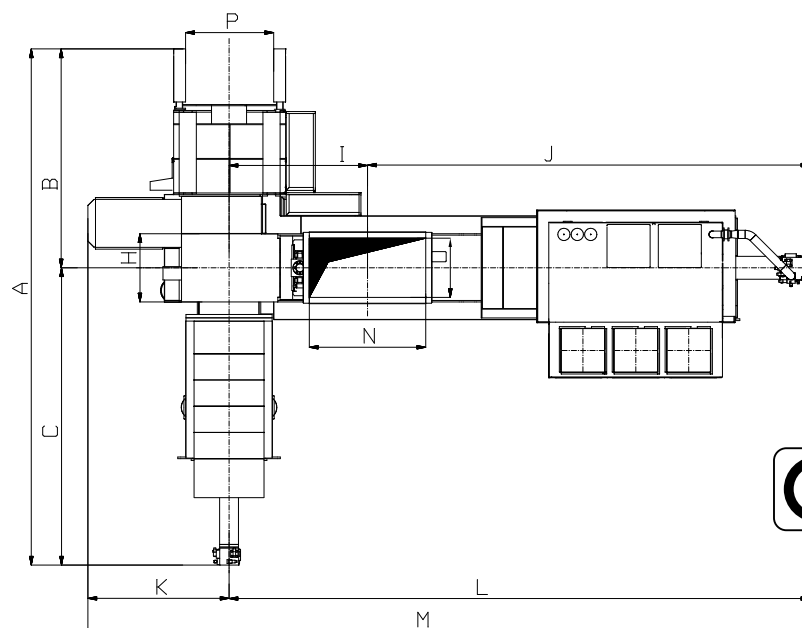
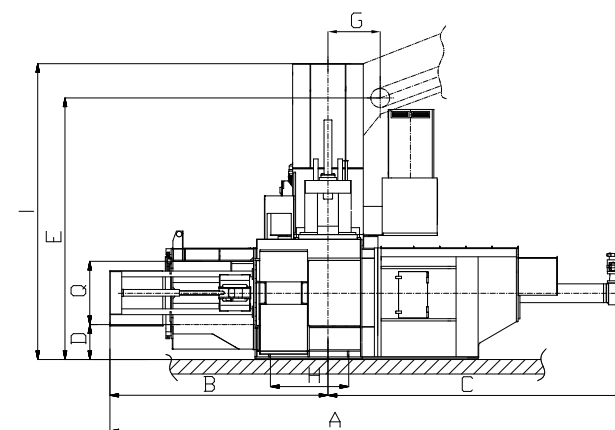
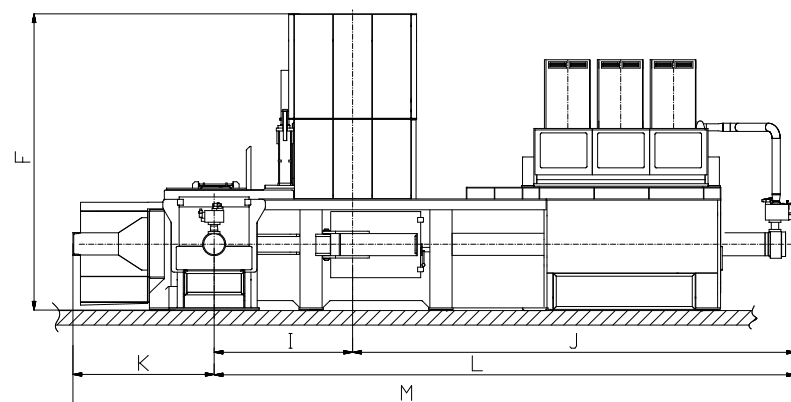
	UPAMAX 150 TC		UPAMAX 230 TC	
Type index (pressing force in kN)	1500 kN		2300 kN	
special pressing force	182 N/cm ²		190 N/cm ²	
Design pressure	315 bar		315 bar	
Channel format (height x width x length)	75 x 110 x 110 cm		110 x 110 x 110 cm	
Filling opening (length x width)	200 x 102 cm		200 x 102 cm	
Number of tying-ups (standard)	7		7	
Drive power	2 x 55 kW	3 x 55 kW	2 x 75 kW	3 x 75 kW
Press power at piled weight (household waste approx. 200 kg/m ³)	25 t/h	35 t/h	42 t/h	55 t/h
Bale weight	950 kg		1400 kg	
Press throughput	150 m ³ /h	210 m ³ /h	250 m ³ /h	340 m ³ /h
Weight	50 t	52 t	62 t	65 t

Modifications reserved!

OUR SERVICE

With the new press from UPAMAX series unoTech consistently continues providing production machines which set new standards with respect to throughput, strength and durability for the industry: a fully automatic and strongly compacting two-way bale press from unoTech with a pressing force of 1500 kN or 2300 kN for pressing optimum bales of e.g. household waste.

DIMENSIONS	UPAMAX 150 TC	UPAMAX 230 TC
A	8.000	8.855
B	3.200	3.755
C	4.800	5.100
D	600	600
E	4.200	4.500
F	4.800	5,100
G	900	900
H	1.100	1.100
I	2.380	2.380
J	7.200	7.600
K	2.420	2,420
L	9.580	9.980
M	12.000	12.400
N	2.000	2.000
O	1.020	1.020
P	1.300	1.500
Q	1.100	1.100



UNOTECH
LM GROUP